

Trajjet

GENTLE-AIR LAUNDRY SPA

FOR ALL FINE WEARABLES

This multipurpose laundry sink operates by lifting away dirt from the fabric with a gentle and effective bubble action. It is ideal for stained clothing, knits and other delicates that normally require washing by hand. Occupying the same space as an ordinary utility sink, the Laundry Spa instantly updates laundry rooms both in purpose and style, and is the latest appliance for new homes. The Laundry Spa is manufactured of acrylic material and is designed for under counter or convenient drop-in installation.

- Ten high-volume air jets in bottom of sink create a gentle whirling action to effectively clean fine wearables
- Automatic Purge system takes away the hassle of cleaning the system.
- Super Quiet, high-output air pump / dryer



Optional drying rack used in conjunction with air pump/dryer speeds gentle air drying

Trajjet



Digital on/off switch with built-in 20-minute timer



Ten gentle-scrubbing air jets built into the base for gentle and effective fine wearables cleaning

Toll Free: **1-800-795-1812**

www.trajjet.com • 503 Railroad Avenue Glenwood, IA 51534

Gentle-Air #2522

Gentle-Air Laundry Spa

for all Fine Wearables



Gentle-Air FEATURES and BENEFITS

- Durable, acrylic shell, high-gloss, highly stain and scratch resistant
- Acrylic shell is reinforced with two full layers of hand-rolled fiberglass backing for added strength
- Easy to drain, clean and sanitize
- Designed with ten gentle-scrubbing air jets built into the base for gentle and effective fine wearables cleaning
- Air pump/dryer provides gentle & effective drying cycle by simply placing wet wearables on the drying rack
- Variable speed 2HP Air pump/dryer for high-output, low-decible, quiet operation
- Pre-drilled, 3 1/2" standard waste drain plate for standard 2" drain
- No standard holes drilled for faucets
- Electronic controls featuring a 20-minute timer, variable speeds, and pulsating action
- UL listed, Listed and/or CSA Certified, DAJS, NAHB Certified
- Limited warranty...5 years on shell, 2 years on system



ELECTRICAL SPECIFICATIONS

- Required electrical service....
One, 15-amp circuit, 110-volt w/GFCI Outlet
- Easy to install...No special hard-wiring required

PLUMBING REQUIREMENTS

- Standard 1/2" hot and cold service with 2" waste drain

SPECIFICATIONS

COLORS

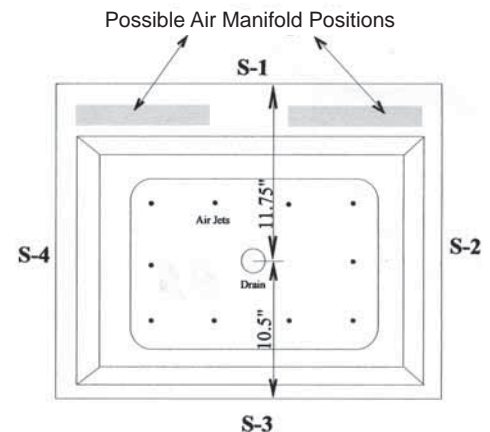
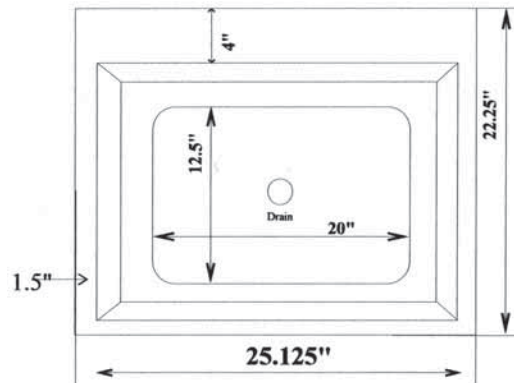
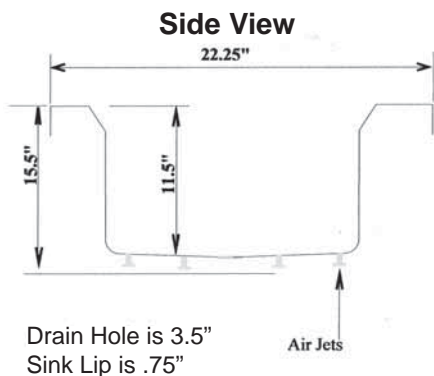
- White, biscuit, almond
- Thick, durable acrylic surface

OPTIONS

- Drying rack
- Drain kit
- Manifold positions - right or left

AIR MOTOR

- On/Off switch w/ 20-min. timer
- 10 air jets with check valves
- 2HP Variable speed air pump / dryer
- Automatic purge and dry cycle
- Factory tested



Dimensional Variance +/- 1/2"
Suggested Pump Access Panel:
20" Long x 12" High

